

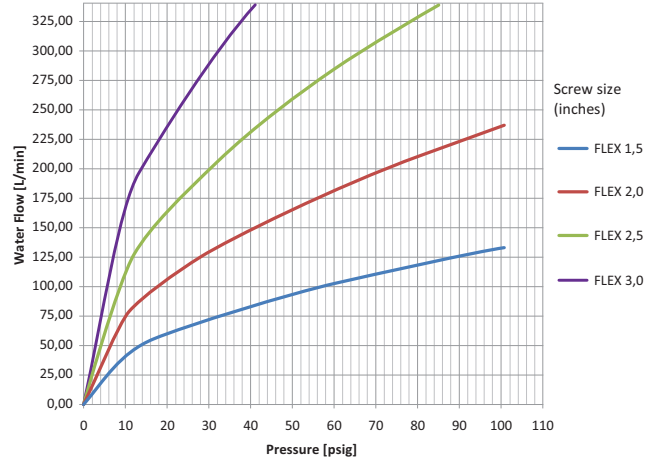
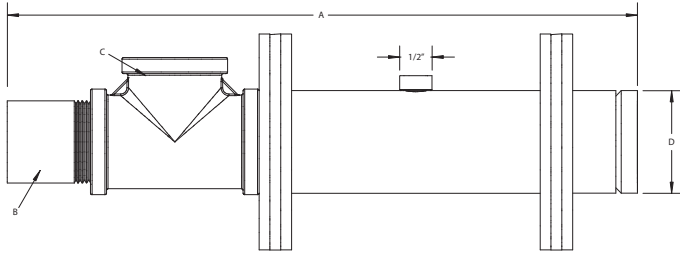
## FLEXTURI PUMP

The Flexturi is an anti-clogging lime milk system designed to replace traditional distribution pumps. It is capable of distributing up to 10% solution concentration for a pre-treatment pH adjustment or used in post treatment to protect the distribution network. The Flexturi's self-cleaning flexible venturi section provides water treatment operators with a low cost, low maintenance solution to lime milk injection.

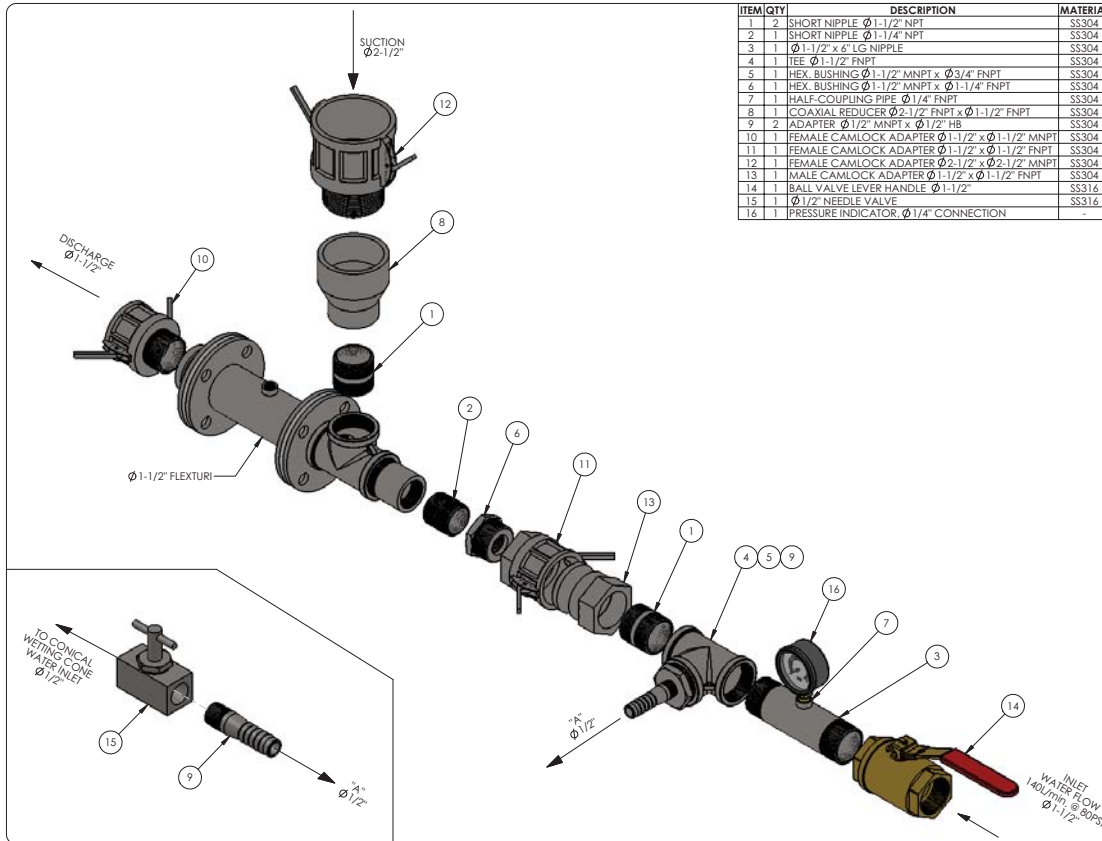
### Characteristics

- Pumping lime milk from process water at any hardness with a flexturi Jet-Pump
- Self-cleaning venturi for unassisted lime scale removal
- Extended pumping capacity
- NSF 61 contact parts
- Designed for hydrated lime injection

### Water Consumption Flexturi Pumping System



Model	Max Water Consumption	Max Pressure at Discharge	Max Lime Transport	A	B	C	D
<b>FLEX 1,5</b>	110 L/min @ 70 psig	15 PSI	10 kg/min	15"	1" FNPT	1,5" FNPT	1 1/2" sch40
<b>FLEX 2,0</b>	200 L/min @ 70 psig	15 PSI	20 kg/min	18"	1,5" FNPT	2" FNPT	2" sch40
<b>FLEX 2,5</b>	300 L/min @ 70 psig	15 PSI	30 kg/min	22"	2" FNPT	2,5" FNPT	2,5" sch40
<b>FLEX 3,0</b>	Call Factory			27"	2,5" FNPT	3" FNPT	3" sch40



ITEM	QTY	DESCRIPTION	MATERIAL
1	2	SHORT NIPPLE $\phi$ 1-1/2" NPT	SS304
2	1	SHORT NIPPLE $\phi$ 1-1/4" NPT	SS304
3	1	$\phi$ 1-1/2" x 6" LG NIPPLE	SS304
4	1	TEE $\phi$ 1-1/2" FNPT	SS304
5	1	HEX. BUSHING $\phi$ 1-1/2" MNPT x $\phi$ 3/4" FNPT	SS304
6	1	HEX. BUSHING $\phi$ 1-1/2" MNPT x $\phi$ 1-1/4" FNPT	SS304
7	1	HALF-COUPLING PIPE $\phi$ 1/4" FNPT	SS304
8	1	COAXIAL REDUCER $\phi$ 2-1/2" FNPT x $\phi$ 1-1/2" FNPT	SS304
9	2	ADAPTER $\phi$ 1/2" MNPT x $\phi$ 1/2" HB	SS304
10	1	FEMALE CAMLOCK ADAPTER $\phi$ 1-1/2" x $\phi$ 1-1/2" MNPT	SS304
11	1	FEMALE CAMLOCK ADAPTER $\phi$ 1-1/2" x $\phi$ 1-1/2" FNPT	SS304
12	1	FEMALE CAMLOCK ADAPTER $\phi$ 2-1/2" x $\phi$ 2-1/2" MNPT	SS304
13	1	MALE CAMLOCK ADAPTER $\phi$ 1-1/2" x $\phi$ 1-1/2" FNPT	SS304
14	1	BALL VALVE LEVER HANDLE $\phi$ 1-1/2"	SS316
15	1	$\phi$ 1/2" NEEDLE VALVE	SS316
16	1	PRESSURE INDICATOR $\phi$ 1/4" CONNECTION	-