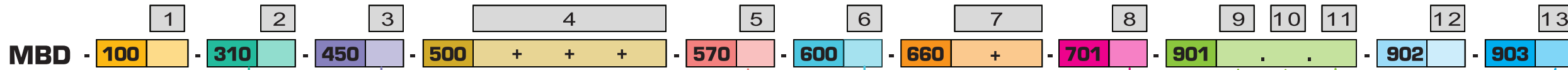


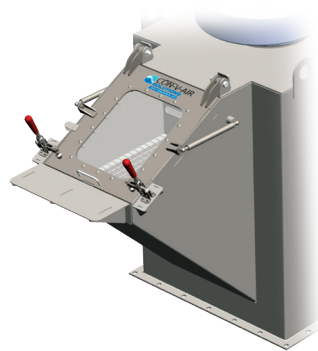
MBD - MANUAL BAG DUMP CONFIGURATOR



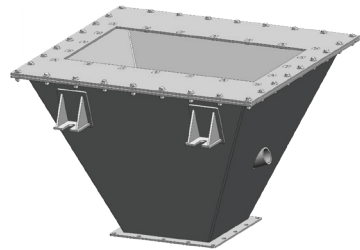
CONFIGURATION 100		
1	With dust tight emptying box	V
	Without dust tight emptying box	X
STORAGE VOLUME 310		
2	3 ft ³	A
	5 ft ³	B
FILTER 450		
3	Pleated cartridge filter element (9.15 ft ² filtering area / each)	B
	Sock type filter element	E
INSTRUMENTS 500		
4	Solids level sensor - vibrating rod type	A
	Door closing safety switch	E
	Differential pressure indicator (without signal)	F
	Differential pressure indicator (with signal)	G
FANS 570		
5	1.5 HP, Centrifugal fan (MBD)	A
EXTRACTOR / VIBRATOR 600		
6	Air actuated impactor	J
	Electrical motovibrator	K
PROCESS ACCESSORIES 660		
7	Manual blast gate	N
	Manual pressure regulator	O

903 CERTIFICATION/CLASSIFICATION		
B	Class 2, division 2	13
C	Class 1, division 1	
G	Class 2, division 1	
902 CONTROL PANEL		
F	Local control panel	12
I	Equipment and instruments prewired to the control panel provided by CON-V-AIR	
J	Control panel provided by others	
901 MATERIAL / FINISH / COATING		
CH	Glass bead finish	11
CI	Mill finish	
CJ	#4 polish on welds in contact with the product	
CK	EC1 epoxy coating system	10
CL	FC1 FDA epoxy coating system	
CE	Carbon steel construction	9
CF	304L stainless steel construction	
CG	316 stainless steel construction	
701 ELECTRICAL POWER		
A	380V/3/50Hz	8
B	460V/3/50Hz	
C	575V/3/50Hz	
E	120V/1/50Hz	

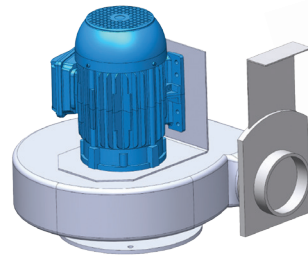
000 : Section number Letters : Option code + : Multiple options . : Single option Ø : Symbol to enter if no option selected



100 V



310 B



570 A



450 B



500 A



500 E



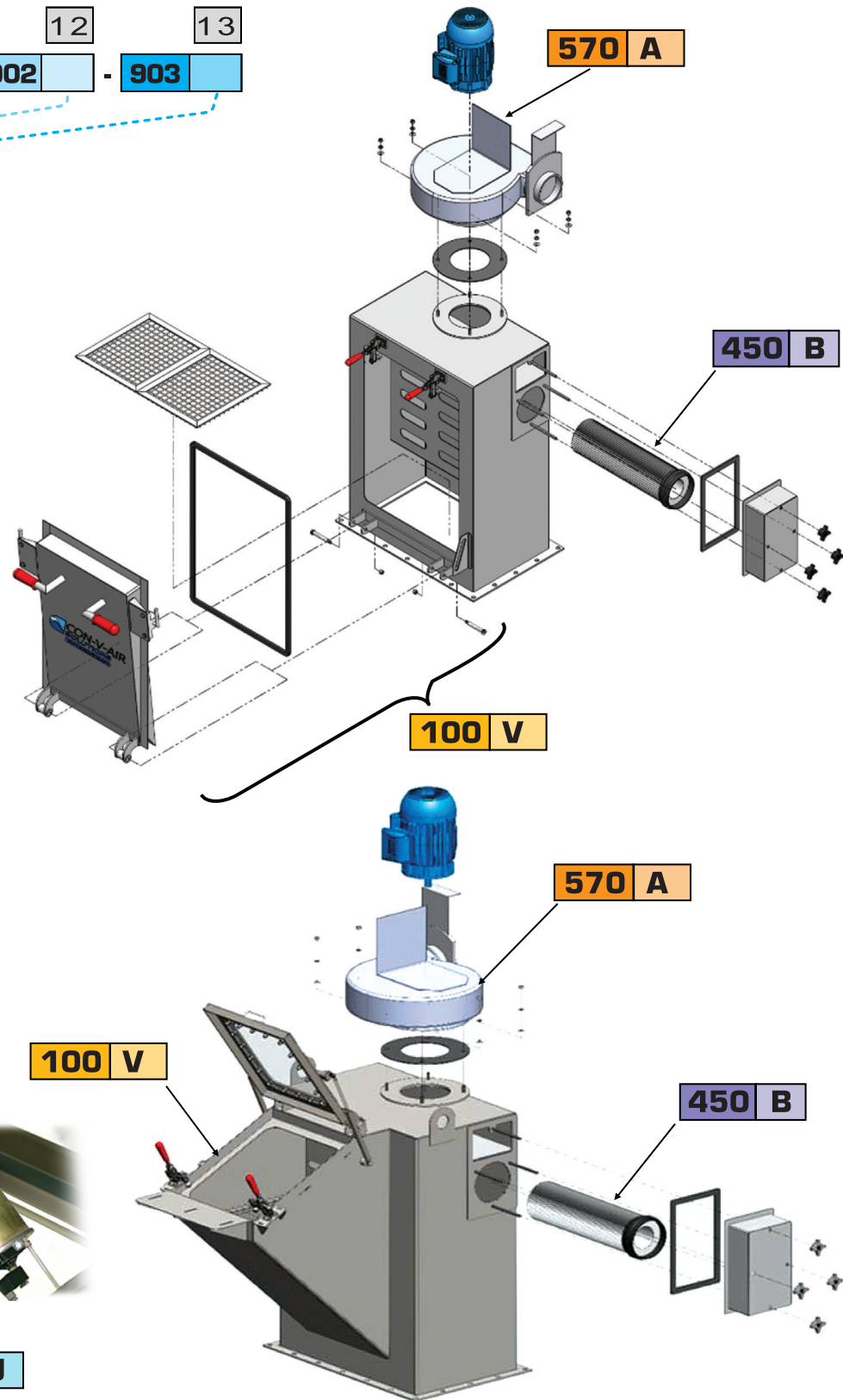
500 F



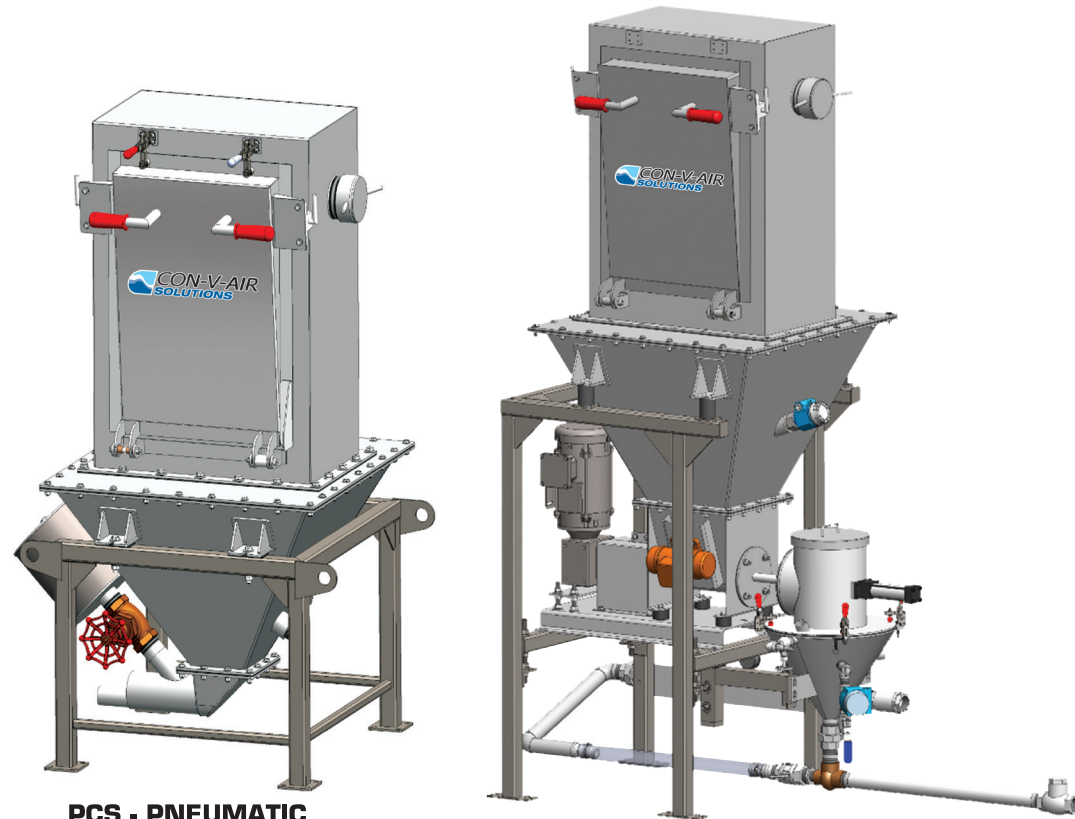
600 K



600 J

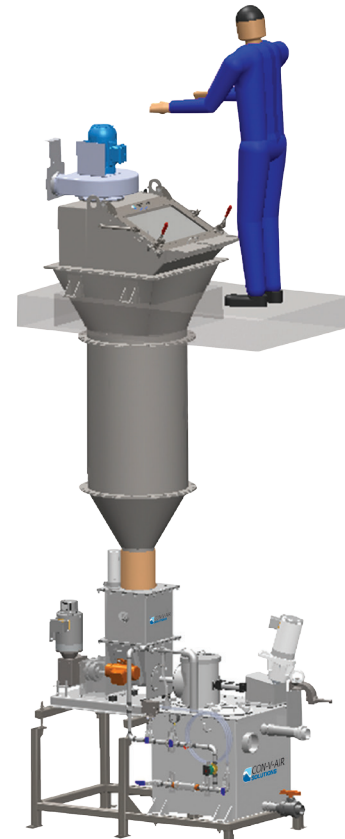


MBD - MANUAL BAG DUMP CONFIGURATOR

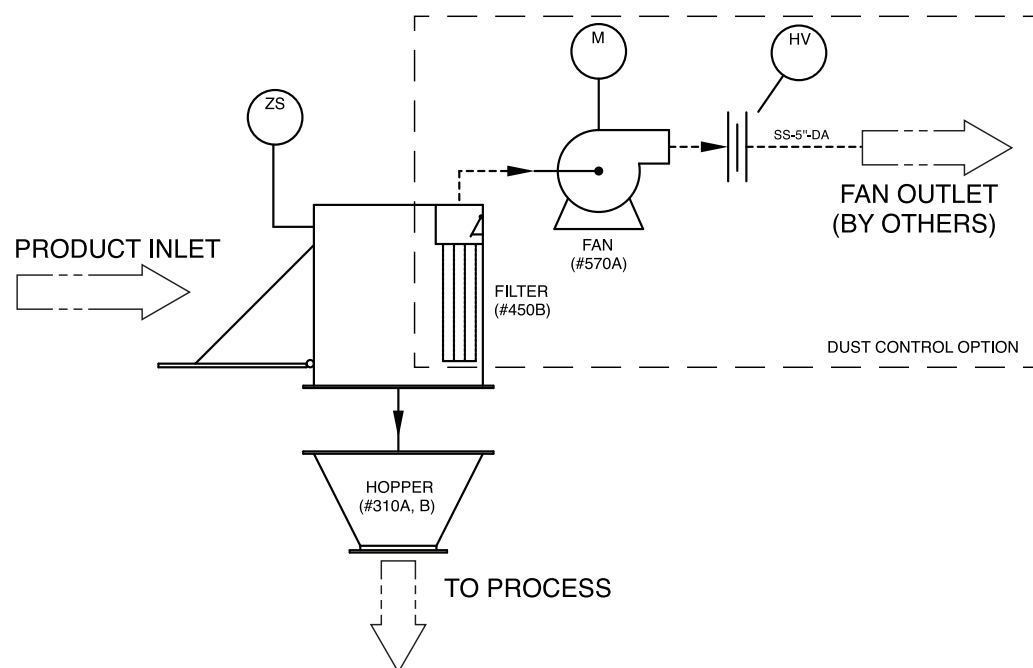
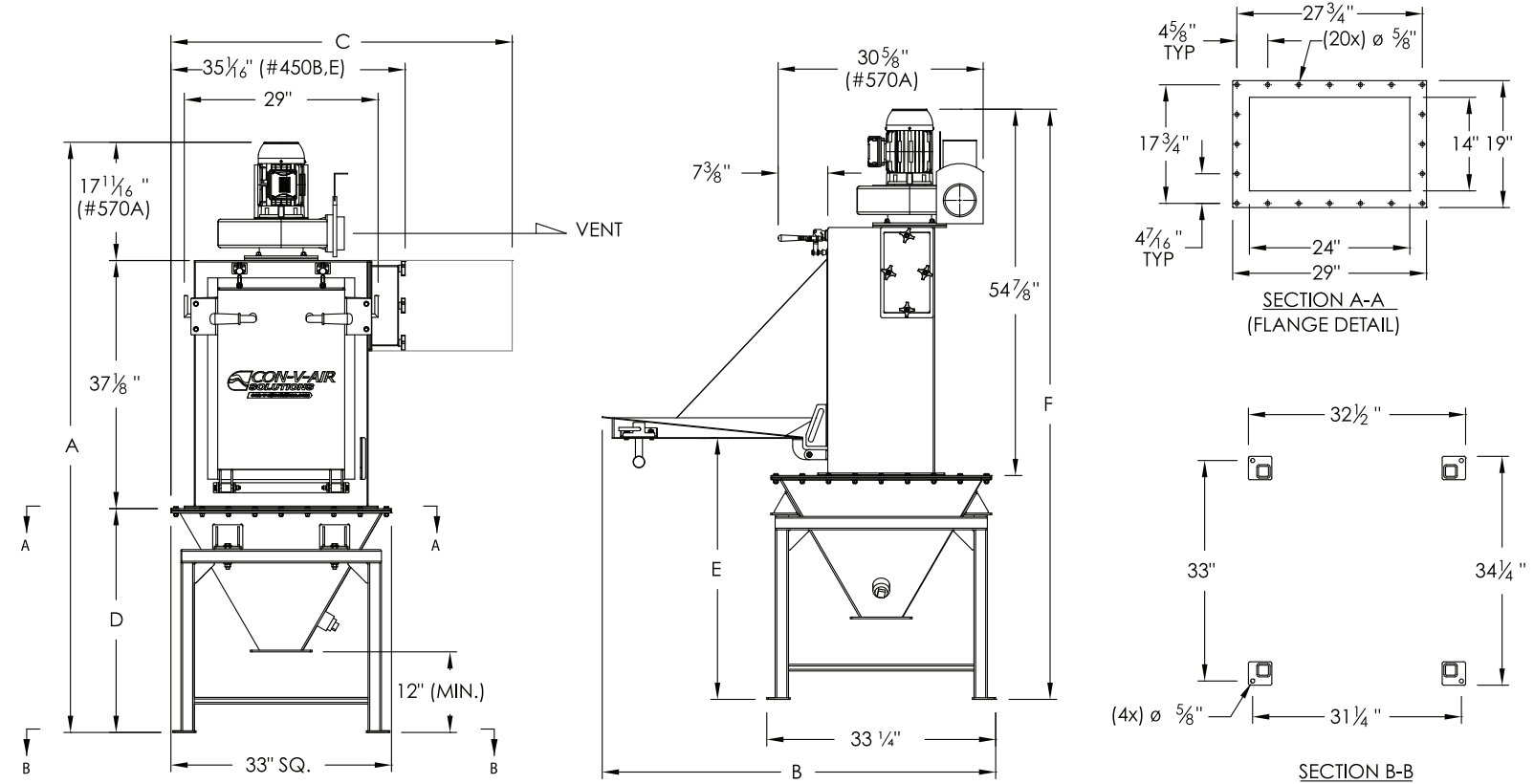


PCS - PNEUMATIC CONVEYING SYSTEM

DIS - DIRECT INJECTION SYSTEM



IIS - INDIRECT INJECTION SYSTEM



	ADDITIONAL OPTIONS	CONFIGURATION #	MANUAL BAG DUMP STATION DIMENSIONS												TOTAL CONSUMPTION			WEIGHT	
			"A"	"B"	"C"	"D"	"E"	"F"	AIR	ELECT.	TOTAL	CFM	PSI	HP	lbs	kg			
W/O DUST TIGHT EMPTYING BOX (WHEN EMPTYING BAG)	- 3 ft ³ HOPPER - ELECTRIC VIBRATOR	#MBD-100V-310A-450B-570A-600A-660N	83.63	2124	51	1295	28.75	730	34.25	870	72.00	1829	-	-	0.13	376	171		
	- 5 ft ³ HOPPER - PNEUMATIC VIBRATOR	#MBD-100V-310B-450B-570A-600D-660N	85.63	2175	51	1295	30.75	781	36.25	921	76.50	1943	6	60	-	437	199		
	- WITHOUT HOPPER	#MBD-100V-3109-450B-570A-6009-660N	54.88	1394	49	1245	0	0	5.50	140	57.75	1467	-	-	0.13	296	135		
W/O DUST TIGHT EMPTYING BOX (WHEN EMPTYING BAG)	- 3 ft ³ HOPPER - ELECTRIC VIBRATOR	#MBD-100V-310A-600A	65.88	1673	29.00	737	28.75	730	34.25	870	53.88	1368	-	-	0.13	321	146		
	- 5 ft ³ HOPPER - PNEUMATIC VIBRATOR	#MBD-100V-310B-600D	67.88	1724	33.00	838	30.75	781	36.25	921	55.88	1419	6	60	-	391	178		
	- WITHOUT HOPPER	#MBD-100V	37.13	943	29.00	737	0	0	5.50	140	37.13	943	-	-	0.13	230	105		
W/ DUST TIGHT EMPTYING BOX (WHEN EMPTYING BAG)	- 3 ft ³ HOPPER - ELECTRIC VIBRATOR	#MBD-100X-310A-450B-570A-600A-660N	83.63	2124	46.75	1187	28.75	730	34.25	870	72.00	1829	-	-	0.13	376	171		
	- 5 ft ³ HOPPER - PNEUMATIC VIBRATOR	#MBD-100X-310B-450B-570A-600D-660N	85.63	2175	46.75	1187	30.75	781	36.25	921	76.50	1943	6	60	-	437	199		
	- WITHOUT HOPPER	#MBD-100X-3109-450B-570A-6009-660N	54.88	1394	44.75	1137	0	0	5.50	140	57.75	1467	-	-	0.13	296	135		
W/ DUST TIGHT EMPTYING BOX (WHEN EMPTYING BAG)	- 3 ft ³ HOPPER - ELECTRIC VIBRATOR	#MBD-100X-310A-600A	65.88	1673	24.75	629	28.75	730	34.25	870	53.88	1368	-	-	0.13	321	146		
	- 5 ft ³ HOPPER - PNEUMATIC VIBRATOR	#MBD-100X-310B-600D	67.88	1724	28.75	730	30.75	781	36.25	921	55.88	1419	6	60	-	391	178		
	- WITHOUT HOPPER	#MBD-100X	37.13	943	24.75	629	0	0	5.50	140	37.13	943	-	-	0.13	230	105		